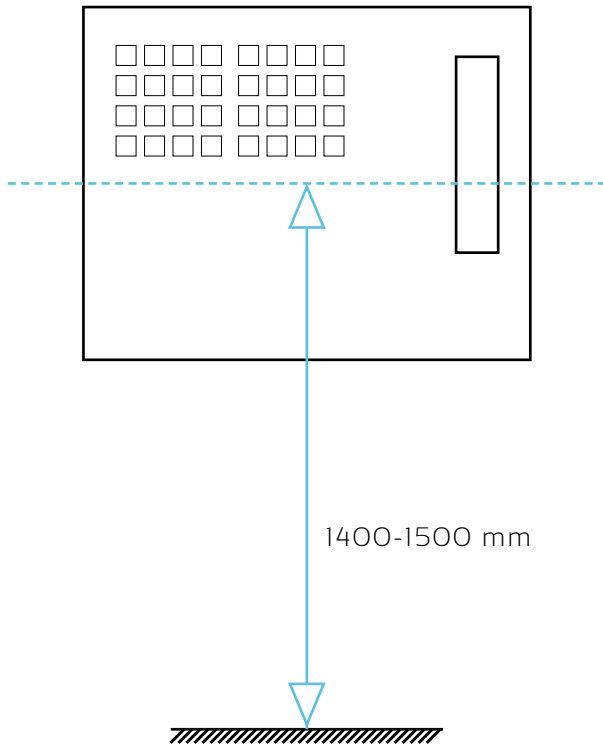


# Mounting Heights

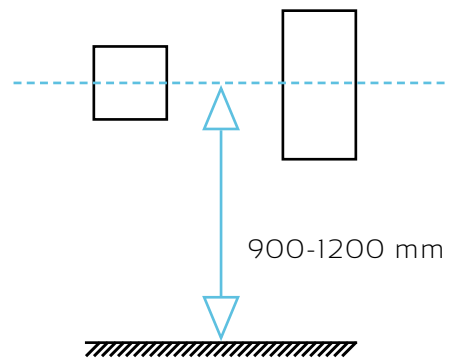
This document outlines the specified mounting heights for master control panels and outstations in an emergency voice communication (EVC) system. The information is extracted from BS5839-9:2011 and BS8300:2000.

## CONTROL PANEL:

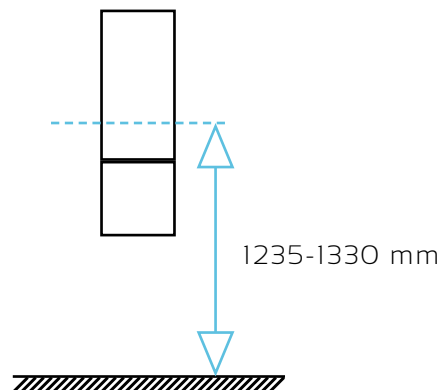


## REMOTE UNITS - IN REFUGE AREAS:

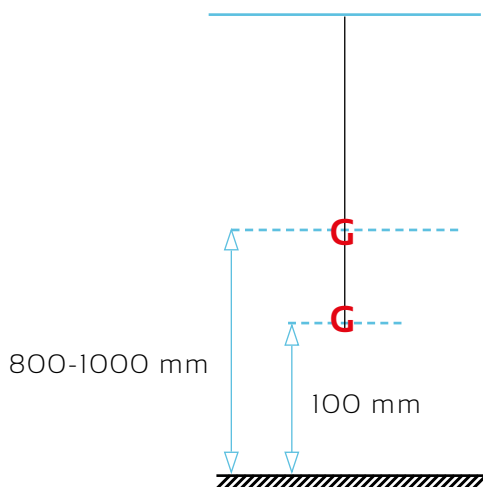
Typically disabled refuge remotes:



Combined remote (OmniCare):

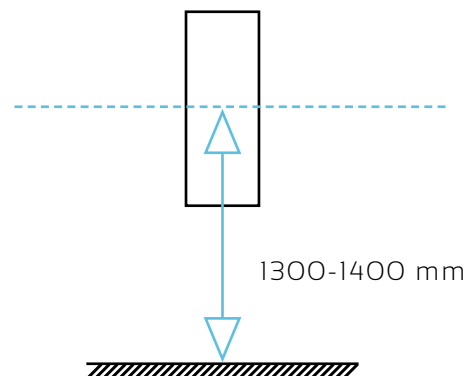


## DISABLED TOILET ALARM PULL CORD:



## REMOTE UNITS:

Typically fire telephones & steward telephones:



# Our Emergency Voice Communication Systems:

## Omnicare:

- Loop wired system - four core.
- 4-127 way panels.
- Networkable - up to 127 outstations, multiple slave panels.
- Touchscreen interface option.
- Addressable system (via outstation).
- Can be linked to local fire panel.
- Fully monitored and battery backed (batteries included).
- Any combination of outstation on a single loop.
- Outstation options:
  - Disabled refuge (DRS).
  - Advance disabled refuge.
  - Fire telephone.
  - Steward telephone.
  - Combined DRS & fire telephone.
  - Disabled toilet alarm.



## CARE2:

- Radial wired system - two core.
- 4-16 way panels.
- Networkable - up to 256 outstations, single slave panel.
- Touchscreen interface option.
- Configure via panel LCD and encoder, laptop, SD card.
- Fire panel link option available.
- Fully monitored and battery backed (batteries included).
- Any combination of outstation to a single panel.
- Outstation options:
  - Disabled refuge (DRS).
  - Fire telephone.
  - Steward telephone.
  - Roaming telephone.
  - Disabled toilet alarm.



**BALDWIN BOXALL**  
LEADING THE WAY TO SAFETY

Baldwin Boxall Communications Ltd  
Wealden Industrial Estate, Farningham Road,  
Crowborough, East Sussex, TN6 2JR, United Kingdom

T: +44 (0) 1892 664422 F: +44 (0) 1892 663146  
E: [mail@baldwinboxall.co.uk](mailto:mail@baldwinboxall.co.uk)  
W: [www.baldwinboxall.co.uk](http://www.baldwinboxall.co.uk)